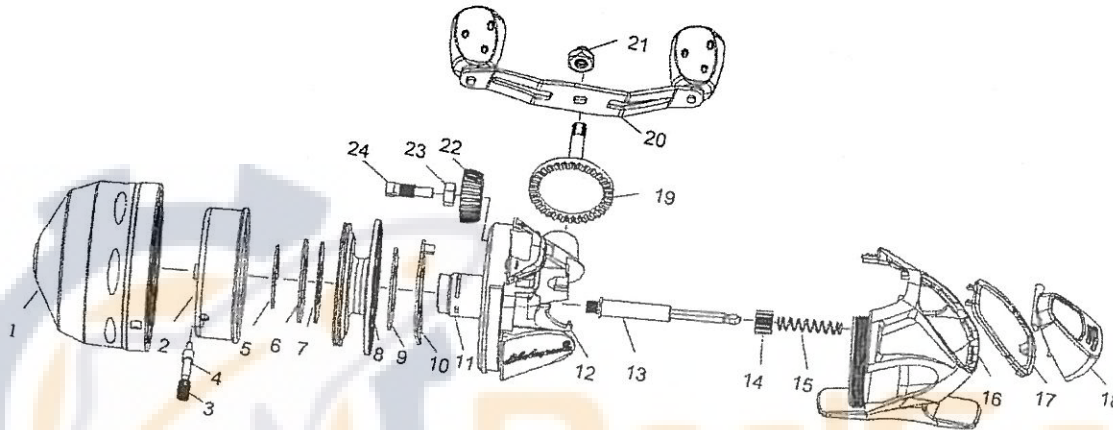


Shakespeare®

Model GX26

SKP-SC-GX2-6-04



ITEM	DESCRIPTION	SAP #	ITEM	DESCRIPTION	SAP #	ITEM	DESCRIPTION	SAP #	ITEM	DESCRIPTION	SAP #
1	FRONT COVER ASM	1322462	8	SPOOL	1322438	15	SPRING	1322446	22	DRAG KNOB	1322441
2	PICK UP HOUSING	1322435	9	WASHER	1322454	16	BACK COVER	1322464	23	DRAG NUT	1322440
3	PIN SPRING	1322457	10	SPRING WASHER	1322453	17	BACK COVER DECK	1322463	24	DRAG SCREW	1322439
4	PICKUP PIN	1322456	11	BODY	1322452	18	THUMB BUTTON	1322447			
5	E CLIP	1322436	12	A/R CLAW	1322445	19	DRIVE GEAR	1322444			
6	E-WASHER	1322437	13	CENTER SHAFT	1322451	20	HANDLE ASM	1322442			
7	DRAG WASHER	1322455	14	PINION	1322450	21	HANDLE NUT	1322443			